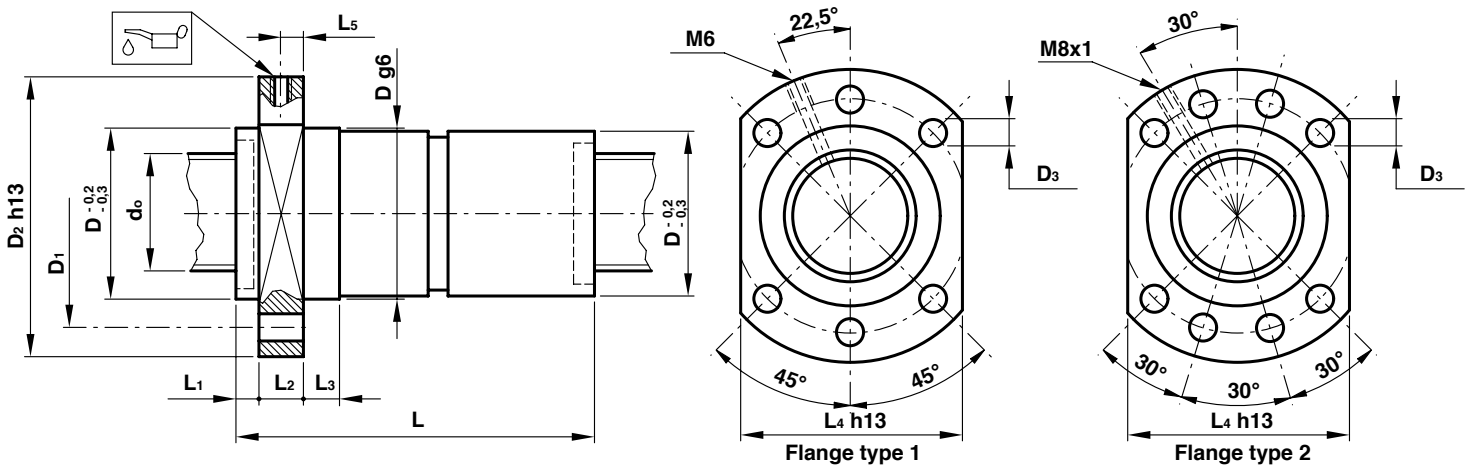


DF | DOUBLE PRELOADED NUT TYPE DIN 69051/5 FOR GROUND SCREWS

1

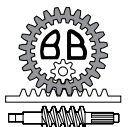
DIFFERENT PITCH AND DIMENSIONS ARE AVAILABLE UPON REQUEST. DIMENSIONS IN INCHES ARE ALSO AVAILABLE / *NON-NORMALIZED TYPES

TYPE	d _o	P _h	D _w	N	D	D ₁	D ₂	D ₃	L	L ₁	L ₂	L ₃	L ₄	L ₅	H	C _o	C _a	R _s
DF1604-2				2					64							923	553	30
DF1604-3	16*	4	2,381	3	28	38	48	5,5	71	5	10	10	40	5	1	1219	730	40
DF1604-4				4					79							1503	900	48
DF1605-2				2					75							1128	1098	32
DF1605-3	16	5	3,175	3	28	38	48	5,5	85	5	10	10	40	5	1	1489	1450	42
DF1605-4				4					95							1836	1789	52
DF1610-2	16*	10	3,175	2	28	38	48	5,5	100	5	10	10	40	5	1	1128	1098	32
DF1610-3				3					120							1489	1450	42
DF2004-2				2					64							1232	590	36
DF2004-3	20*	4	2,381	3	36	47	58	6,6	71	5	10	10	44	5	1	1627	779	48
DF2004-4				4					79							2006	961	58
DF2005-2				2					75							1523	1170	40
DF2005-3	20	5	3,175	3	36	47	58	6,6	85	5	10	10	44	5	1	2012	1545	52
DF2005-4				4					95							2481	1906	66
DF2504-2				2					64							1665	630	44
DF2504-3	25*	4	2,381	3	40	51	62	6,6	71	5	10	10	48	5	1	2198	832	58
DF2504-4				4					79							2711	1026	72
DF2505-2				2					75							2066	1248	50
DF2505-3				3					85							2728	1648	64
DF2505-4	25	5	3,175	4	40	51	62	6,6	95	5	10	10	48	5	1	3364	2032	80
DF2505-5				5					105							3973	2400	94
DF2506-2				2					88							2383	1872	50
DF2506-3				3					100							3147	2472	66
DF2506-4	25*	6	3,969	4	40	51	62	6,6	112	6	10	10	48	5	1	3881	3049	82
DF2506-5				5					124							4583	3601	98
DF2510-2				2					102							2568	2489	48
DF2510-3	25	10	4,762	3	40	51	62	6,6	132	6	10	16	48	5	1	3392	3286	64
DF2510-4				4					152							4183	4053	80
DF3205-3				3					88							3742	1771	80
DF3205-4				4					98							4615	2184	100
DF3205-5	32	5	3,175	5	50	65	80	9	108	6	12	10	62	6	1	5451	2579	118
DF3205-6				6					118							6235	2950	134



- N Nr of ball screw revolutions
- H Flange type
- d_o Major diameter (mm)
- P_h Pitch (mm)
- D_w Ball diameter (mm)
- C_o Static load capacity (daN)
- C_a Dynamic load capacity (daN)
- R_e Nut rigidity (daN/μm)

OFFICINA MECCANICA B.B.
WWW.OFFICINAMECCANICABB.COM

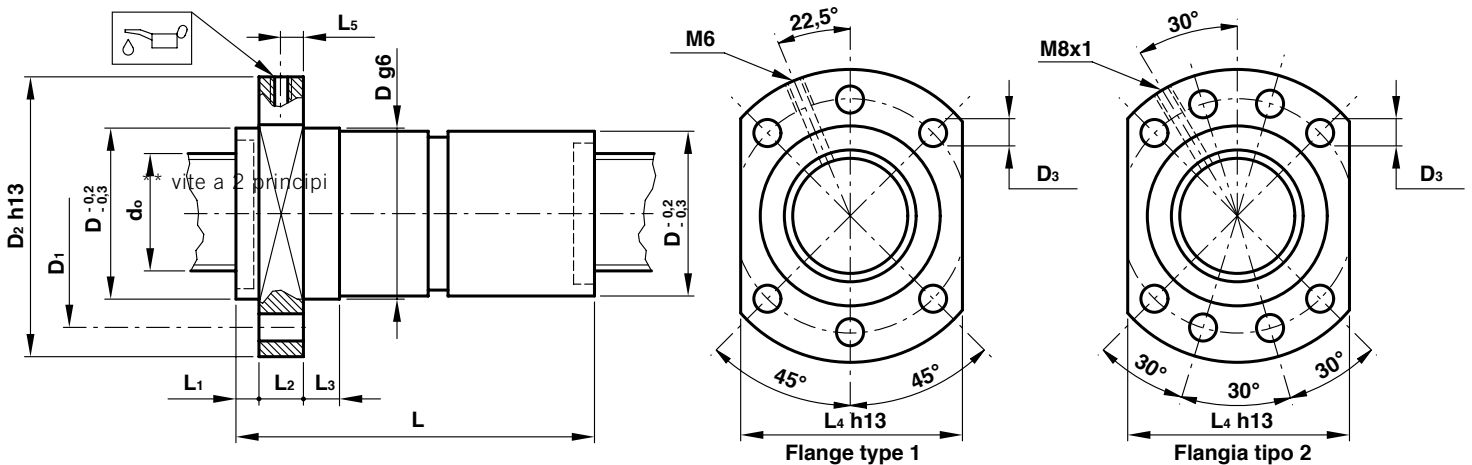


DF | DOUBLE PRELOADED NUT TYPE DIN 69051/5 FOR GROUND SCREWS

2

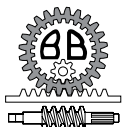
DIFFERENT PITCH AND DIMENSIONS ARE AVAILABLE UPON REQUEST. DIMENSIONS IN INCHES ARE ALSO AVAILABLE / *NON-NORMALIZED TYPES

TYPE	d _o	P _h	D _w	N	D	D ₁	D ₂	D ₃	L	L ₁	L ₂	L ₃	L ₄	L ₅	H	C _o	C _a	R _e
DF3206-3				3					102							4278	2654	82
DF3206-4	32*	6	3,969	4	50	65	80	9	114	6	12	10	62	6	1	5276	3273	102
DF3206-5				5					126							6232	3866	120
DF3210-3				3					143							5956	5325	82
DF3210-4	32	10	6,35	4	50	65	80	9	163	6	12	16	62	6	1	7345	6567	102
DF3210-5				5					183							8675	7757	122
DF3225-2	32*	25	4,762	2	56	68	80	6,6	135	6	12	16	62	6	1	3698	2671	62
DF3232-2	32*	32	4,762	2	56	68	80	6,6	165	6	12	16	62	6	1	3698	2671	62
DF4005-3				3					91							4910	1891	98
DF4005-4	40	5	3,175	4	63	78	93	9	101	7	14	10	70	7	2	6055	2332	120
DF4005-5				5					111							7152	2755	142
DF4006-3				3					105							5850	2832	102
DF4006-4	40*	6	3,969	4	63	78	93	9	117	7	14	10	70	7	2	7215	3492	126
DF4006-5				5					129							8522	4125	148
DF4006-6	40	6	3,969	6	63	78	93	9	141	7	14	10	70	7	2	9748	4718	168
DF4010-3				3					146							8047	5673	102
DF4010-4	40	10	6,35	4	63	78	93	9	166	7	14	16	70	7	2	9924	6996	126
DF4010-5				5					186							11721	8264	150
DF4010-6				6					206							13407	9452	172
DF4012-3				3					159							9038	6637	103
DF4012-4	40*	12	7,144	4	63	78	93	9	183	7	14	16	70	7	2	11146	8185	127
DF4012-5				5					207							15059	9668	150
DF4016-4	40	16	7,144	4	63	78	93	9	229	7	14	25	70	7	2	11153	8186	128
DF4016-5				5					261							13173	9668	150
DF4020-2	40*	20	6,35	2	63	78	93	9	176	7	14	25	70	7	2	6089	4296	78
DF4020-3				3					226							8041	5673	104
DF4040-2	40*	40	6,35	2	70	85	100	9	220	7	14	45	78	7	2	6094	4296	78
DF5005-3				3					93							6238	2021	116
DF5005-4	50	5	3,175	4	75	93	110	11	103	7	16	10	85	8	2	7693	2492	142
DF5005-5				5					113							9087	2944	168
DF5005-6				6					123							10394	3368	192
DF5006-3				3					107							7675	3024	122
DF5006-4	50*	6	3,969	4	75	93	110	11	119	7	16	10	85	8	2	9466	3729	152
DF5006-5				5					131							11180	4405	178
DF5006-6				6					143							12789	5039	204



- N Nr of ball screw revolutions
- H Flange type
- d_o Major diameter (mm)
- P_h Pitch (mm)
- D_w Ball diameter (mm)
- C_o Static load capacity (daN)
- C_a Dynamic load capacity (daN)
- R_e Nut rigidity (daN/μm)

OFFICINA MECCANICA B.B.
WWW.OFFICINAMECCANICABB.COM

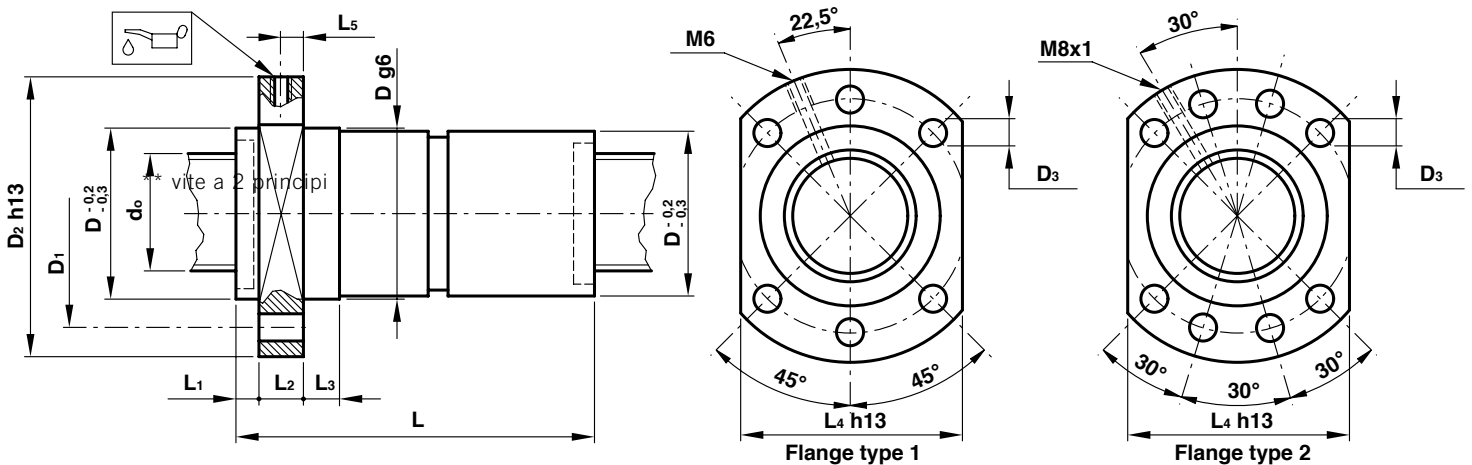


DF | DOUBLE PRELOADED NUT TYPE DIN 69051/5 FOR GROUND SCREWS

3

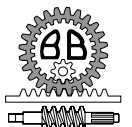
DIFFERENT PITCH AND DIMENSIONS ARE AVAILABLE UPON REQUEST. DIMENSIONS IN INCHES ARE ALSO AVAILABLE
*NON-NORMALIZED TYPES / **BALLSCREWS 2 PRINCIPLES

TYPE	d _o	P _h	D _w	N	D	D ₁	D ₂	D ₃	L	L ₁	L ₂	L ₃	L ₄	L ₅	H	C _o	C _a	R _s
DF5010-3				3					148							10911	6049	126
DF5010-4	50	10	6,35	4	75	93	110	11	168	7	16	10	85	8	2	13456	7460	156
DF5010-5				5					188							15893	8812	184
DF5010-6				6					208							18180	10081	210
DF5012-3				3					161							11730	7072	124
DF5012-4	50*	12	7,144	4	75	93	110	11	185	7	16	16	85	8	2	14467	8722	154
DF5012-5				5					209							17086	10303	182
DF5012-6				6					233							19545	11786	208
DF5016-3				3					199							11730	7073	124
DF5016-4	50	16	7,144	4	75	93	110	11	231	7	16	25	85	8	2	14467	8723	154
DF5016-5				5					263							17086	10302	182
DF5020-3	50*	20	6,35	3	75	93	110	11	228	7	16	25	85	8	2	10911	6049	126
DF5020-4				4					268							13456	7460	156
DF5020-3-B	50	20	9,525	3	75	93	110	11	228	7	16	25	85	8	2	15068	10147	118
DF5020-4-B				4					268							18583	12514	146
DF5030-3**	50	30	7,144	3	75	93	110	11	212	7	16	25	85	8	2	11730	6400	124
DF5050-2	50*	50	6,35	2	80	98	115	11	270	7	16	45	90	8	2	8263	4581	96
DF6305-3				3					95							8149	2166	140
DF6305-4	63	5	3,175	4	90	108	125	11	105	7	18	10	95	9	2	10050	2671	172
DF6305-5				5					115							11870	3155	204
DF6305-6				6					125							13578	3609	234
DF6310-3				3					150							14410	6471	152
DF6310-4	63	10	6,35	4	90	108	125	11	170	7	18	16	95	9	2	17772	7981	188
DF6310-5				5					190							20990	9427	222
DF6310-6				6					210							24011	10784	254
DF6312-3				3					168							16119	7561	154
DF6312-4	63*	12	7,144	4	90	108	125	11	192	7	18	16	95	9		19879	9325	190
DF6312-5				5					216							23479	11015	224
DF6312-6				6					240							26858	12601	258
DF6316-3				3					205							22276	10836	152
DF6316-4	63	16	9,525	4	95	115	135	13,5	245	9	20	25	100	10	2	27473	13364	188
DF6316-5				5					277							32448	15784	222
DF6320-3				3					234							22248	10829	152
DF6320-4	63	20	9,525	4	95	115	135	13,5	274	9	20	25	100	10	2	27438	13355	188
DF6320-5				5					314							32407	15775	222
DF6330-3	63	30	9,525	3	95	115	135	13,5	298	9	20	25	100	10	2	22276	10836	152



- N Nr of ball screw revolutions
- H Flange type
- d_o Major diameter (mm)
- P_h Pitch (mm)
- D_w Ball diameter (mm)
- C_o Static load capacity (daN)
- C_a Dynamic load capacity (daN)
- R_s Nut rigidity (daN/μm)

OFFICINA MECCANICA B.B.
WWW.OFFICINAMECCANICABB.COM

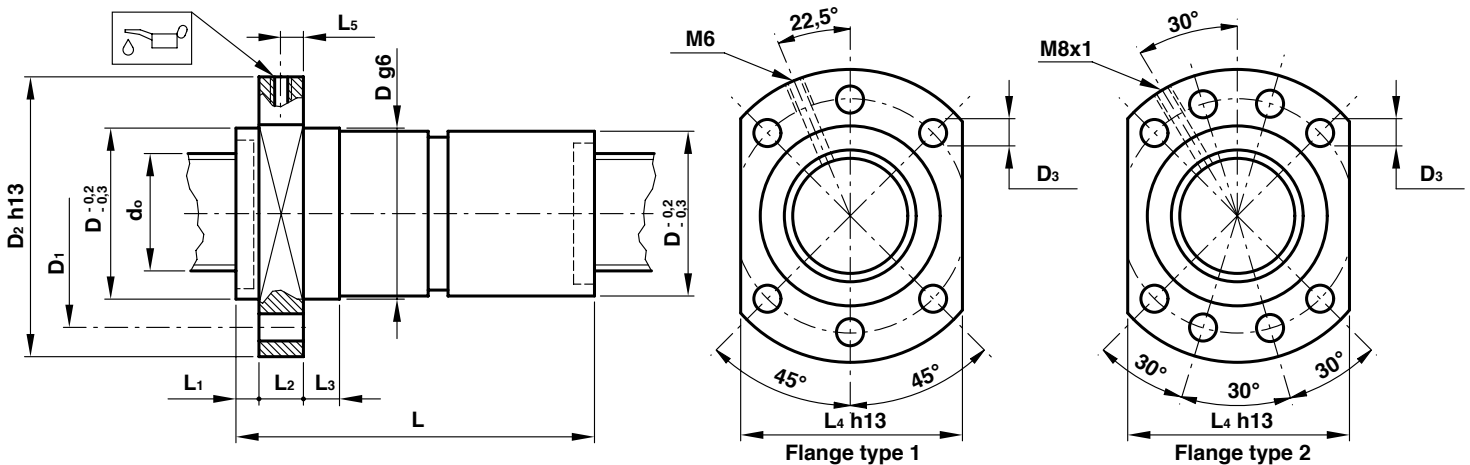


DF | DOUBLE PRELOADED NUT TYPE DIN 69051/5 FOR GROUND SCREWS

4

DIFFERENT PITCH AND DIMENSIONS ARE AVAILABLE UPON REQUEST. DIMENSIONS IN INCHES ARE ALSO AVAILABLE / *NON-NORMALIZED TYPES

TYPE	d _o	P _h	D _w	N	D	D ₁	D ₂	D ₃	L	L ₁	L ₂	L ₃	L ₄	L ₅	H	C _o	C _a	R _s
DF8010-3				3					154							19640	6943	190
DF8010-4	80	10	6,35	4	105	125	145	13,5	174	9	20	16	110	10	2	24222	8563	234
DF8010-5				5					194							28608	10114	276
DF8010-6				6					214							32724	11571	316
DF8012-3				3					172							21340	8109	188
DF8012-4	80*	12	7,144	4	105	125	145	13,5	196	9	20	16	110	10		26318	10001	232
DF8012-5				5					220							31084	11813	274
DF8012-6				6					244							35557	13514	312
DF8016-4				4					250							36811	14319	228
DF8016-5	80	16	9,525	5	125	145	165	13,5	282	9	25	25	130	12,5	2	43477	16913	270
DF8016-6				6					314							49733	19346	308
DF8020-3				3					250							29787	11588	185
DF8020-4	80	20	9,525	4	125	145	165	13,5	290	9	25	25	130	12,5	2	36736	14293	228
DF8020-5				5					330							43388	16882	269
DF10010-4				4					177							30774	9150	276
DF10010-5	100	10	6,35	5	125	145	165	13,5	197	10	22	16	130	11	2	36346	10808	326
DF10010-6				6					217							41576	12365	374
DF10012-4				4					199							34586	10683	280
DF10012-5	100*	12	7,144	5	125	145	165	13,5	223	10	22	16	130	11	2	40849	12619	330
DF10012-6				6					247							46726	14436	378
DF10016-5				5					296							58775	18027	330
DF10016-6	100	16	9,525	6	150	176	202	17,5	328	10	30	25	155	15	2	67231	20621	378
DF10016-7				7					360							74999	23003	422
DF10020-4				4					306							49683	15262	280
DF10020-5	100	20	9,525	5	150	176	202	17,5	346	10	30	25	155	15	2	58680	18027	331
DF10020-6				6					386							67123	20623	378



- N Nr of ball screw revolutions
- H Flange type
- d_o Major diameter (mm)
- P_h Pitch (mm)
- D_w Ball diameter (mm)
- C_o Static load capacity (daN)
- C_a Dynamic load capacity (daN)
- R_e Nut rigidity (daN/μm)

OFFICINA MECCANICA B.B.
WWW.OFFICINAMECCANICABB.COM

